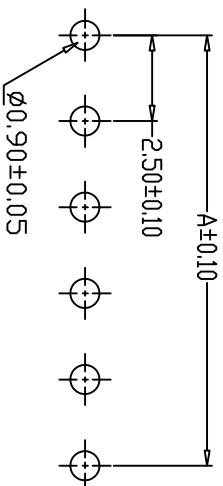
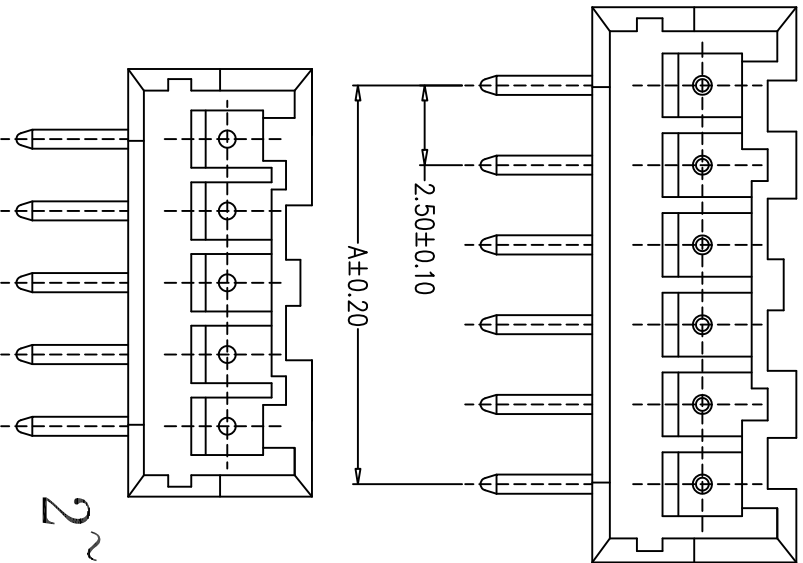
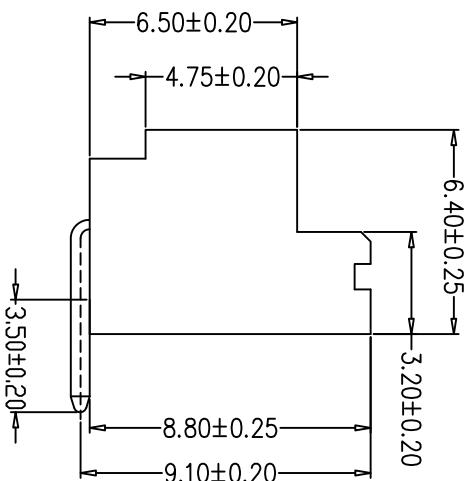
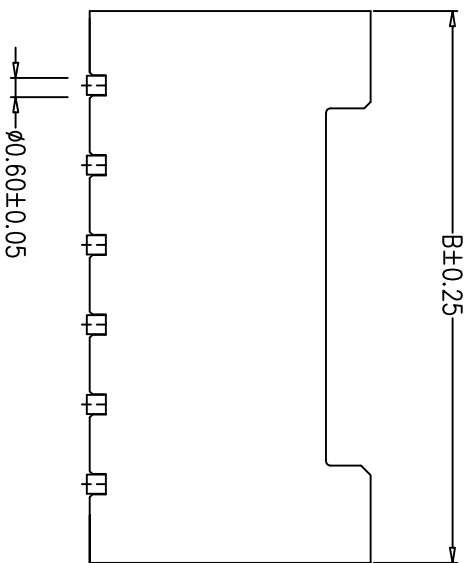
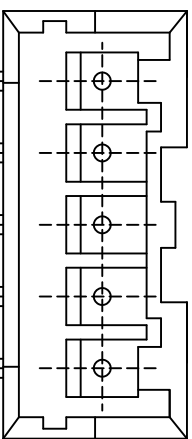


ROHS



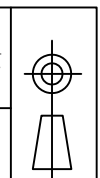
PCB LAYOUT



2~5A

- SPECIFICATIONS**
- 1、Current Ratings: 3A AC, DC
 - 2、Voltage Rating: 250V AC, DC
 - 3、Temperature Range: -25°C~+85°C
 - 4、Contact Resistance: 20mΩ Max
 - 5、Insulation Resistance: 1000MΩ Min
 - 6、Withstanding Voltage: 1000V AC/minute
 - 7、Material: Wafer Nylon46, UL94V-0
PIN Brass Tin-plated

编 号	尺寸 (mm)	
	A	B
A2508-02AW	2.50	7.50
A2508-03AW	5.00	10.00
A2508-04AW	7.50	12.50
A2508-05AW	10.00	15.00
A2508-06AW	12.50	17.50
A2508-07AW	15.00	20.00
A2508-08AW	17.50	22.50
A2508-09AW	20.00	25.00
A2508-10AW	22.50	27.50
A2508-11AW	25.00	30.00
A2508-12AW	27.50	32.50
A2508-20AW	47.50	52.50



X. ±0.5	X* ±
. X ±0.30	. X* ±
. XX ±0.20	. XX* ±
. XXX ±0.003	. XXX* ±

单位 UNIT	mm
比例 SCALE	
核准: APPROVED BY	
审核: CHECKED BY	
制图: DRAWN BY	
版本: VERSION	A0
页次: PAGE	1/1
日期: DATE	2022.9.6
封装: PACKAGE	封文辉
客户料号: CLIENT NO.	2022.9.6

深圳市泰华电子有限公司
TaiHua Electronics Co., Ltd

版本 REV	客户料号 CLIENT NO.	零件图号 PART NO.	零件名称 PART NAME
A0			

1 2 3 4 5 6 7 8